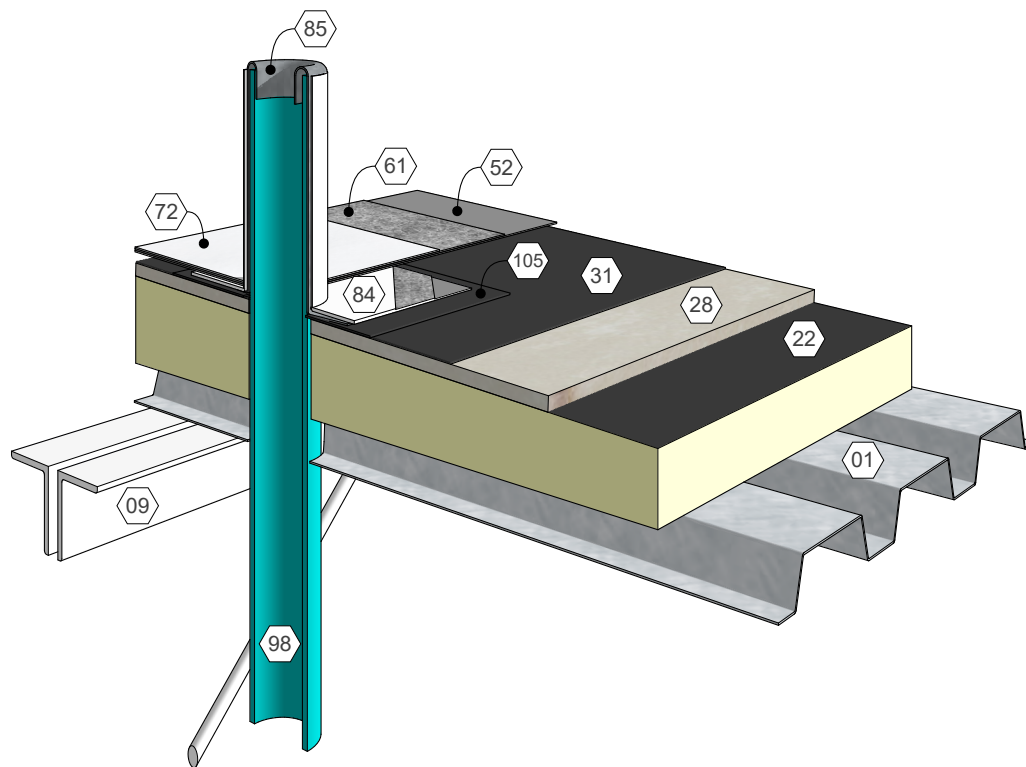
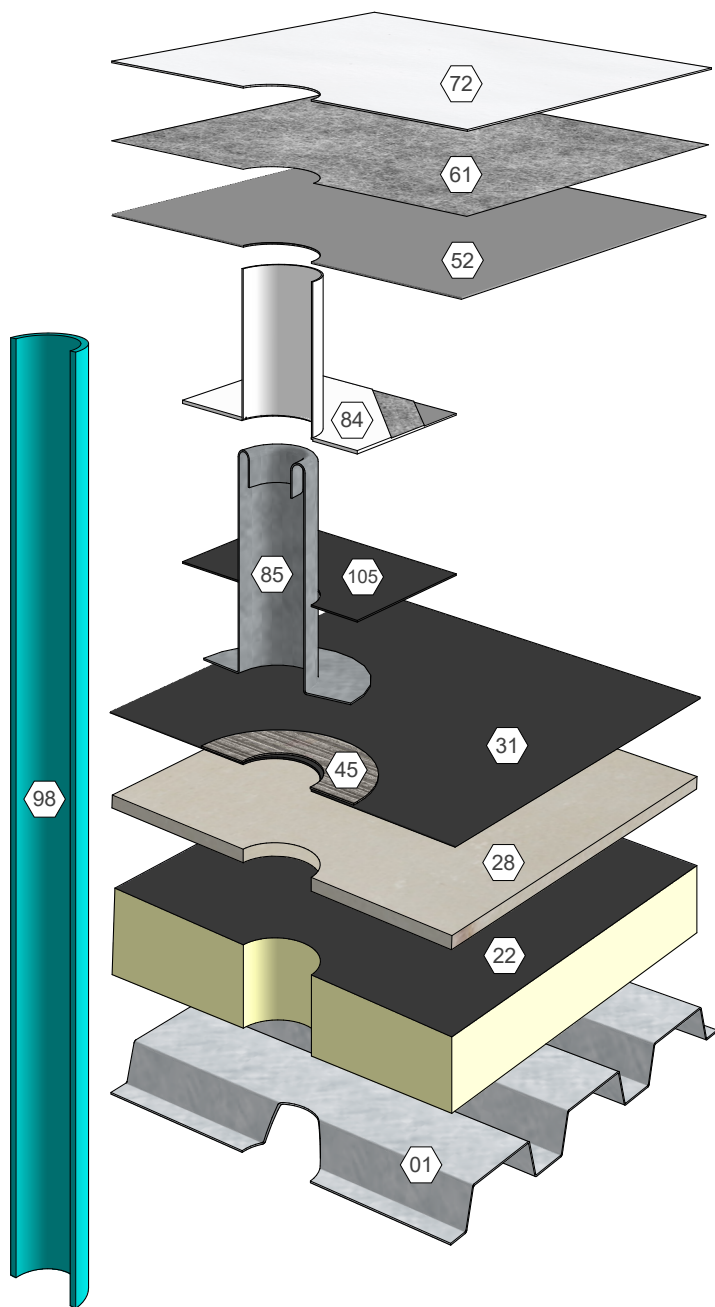


### KEY NOTES

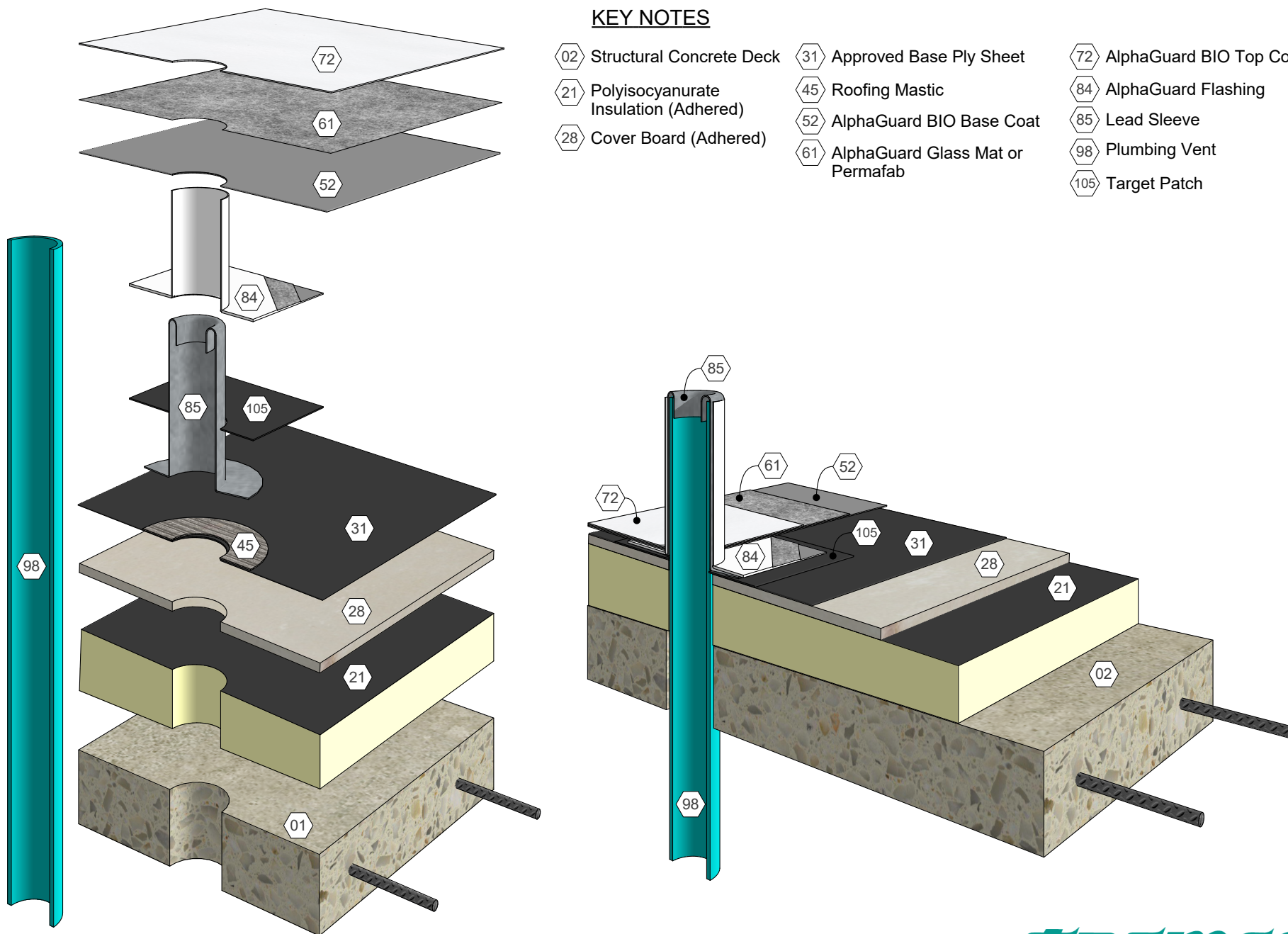
- |  |                                     |                            |
|--|-------------------------------------|----------------------------|
| 01 Metal Deck  | 31 Approved Base Ply Sheet          | 72 AlphaGuard BIO Top Coat |
| 09 Roof Structure                                    | 45 Roofing Mastic                   | 84 AlphaGuard Flashing     |
| 22 Polyisocyanurate Insulation (Fastened or Adhered) | 52 AlphaGuard BIO Base Coat         | 85 Lead Sleeve             |
| 28 Cover Board (Adhered)                             | 61 AlphaGuard Glass Mat or Permafab | 98 Plumbing Vent           |
|  |                                     | 105 Target Patch           |



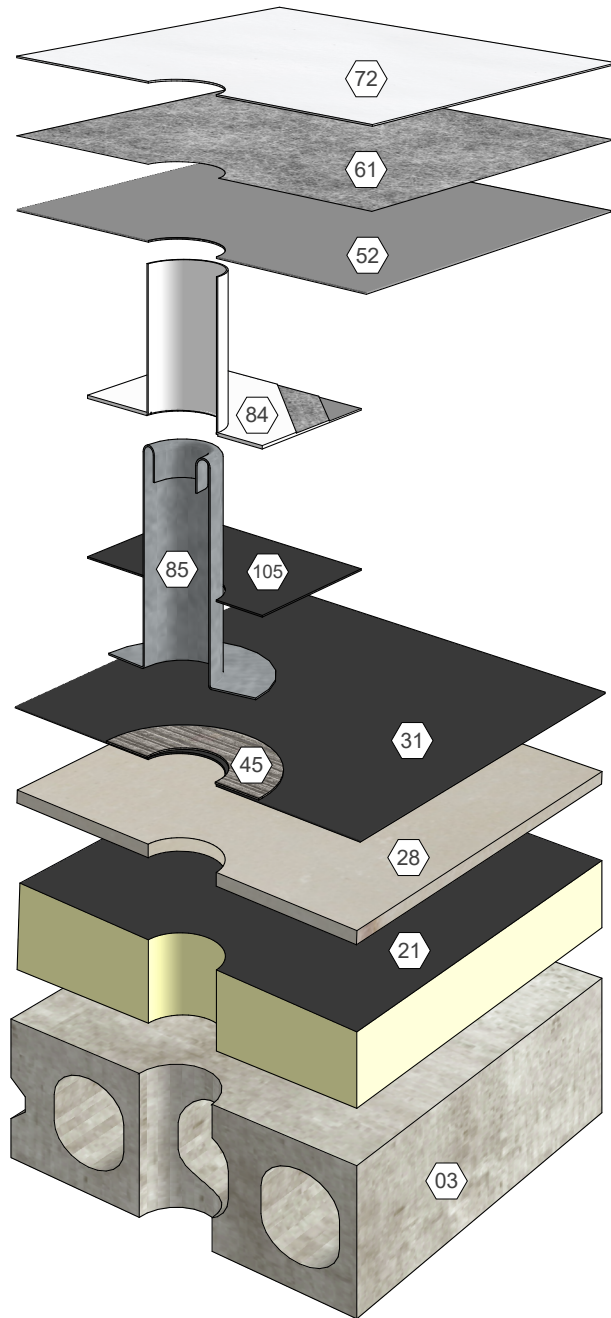
AlphaGuard® BIO Plus Plumbing Vent Detail, Metal Deck  
Detail 23181

### KEY NOTES

- |  |                                     |                            |
|--|-------------------------------------|----------------------------|
| 02 Structural Concrete Deck              | 31 Approved Base Ply Sheet          | 72 AlphaGuard BIO Top Coat |
| 21 Polyisocyanurate Insulation (Adhered) | 45 Roofing Mastic                   | 84 AlphaGuard Flashing     |
| 28 Cover Board (Adhered)                 | 52 AlphaGuard BIO Base Coat         | 85 Lead Sleeve             |
|  | 61 AlphaGuard Glass Mat or Permafab | 98 Plumbing Vent           |
|  |                                     | 105 Target Patch           |

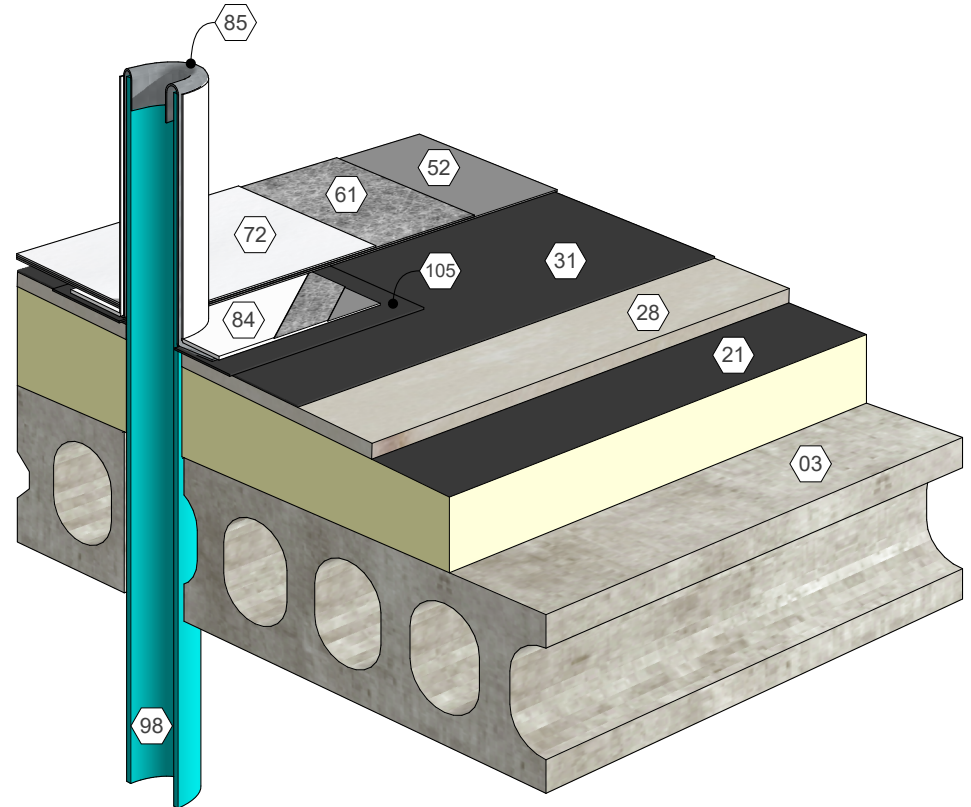


AlphaGuard® BIO Plus Plumbing Vent Detail, Structural Concrete Deck  
Detail 23182



### KEY NOTES

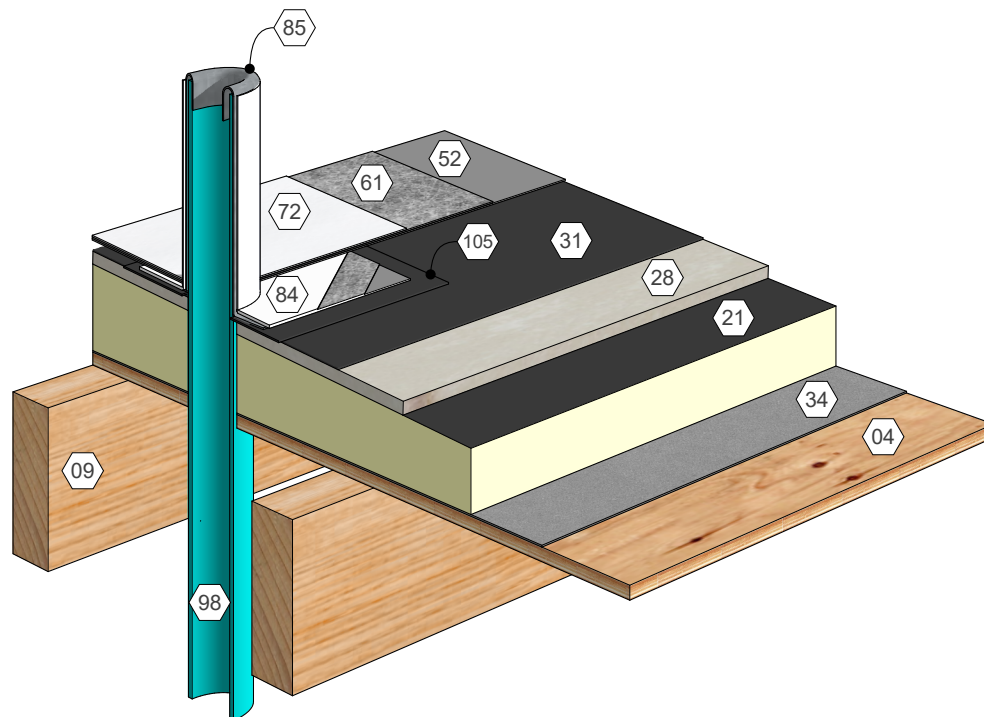
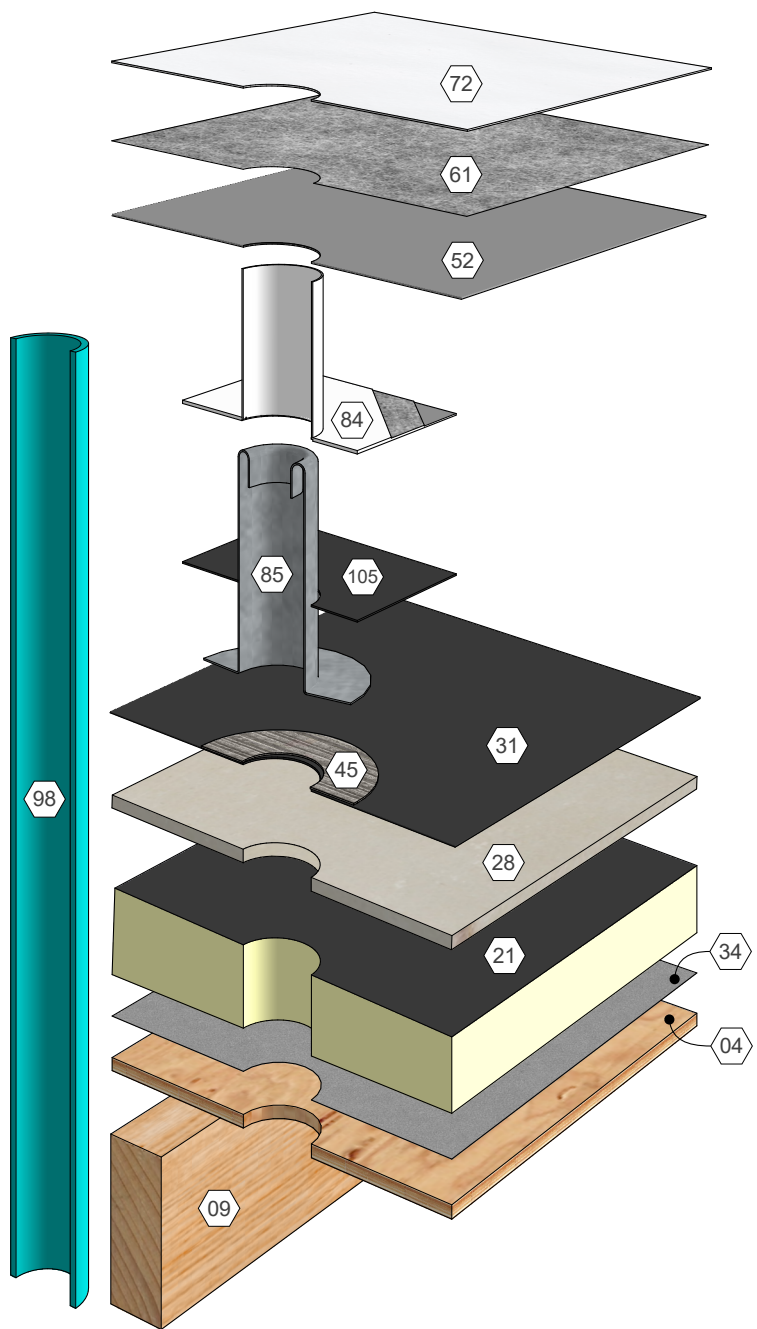
- |   |                                      |                             |
|---|--------------------------------------|-----------------------------|
| 03) Precast Concrete Deck                 | 31) Approved Base Ply Sheet          | 72) AlphaGuard BIO Top Coat |
| 21) Polyisocyanurate Insulation (Adhered) | 45) Roofing Mastic                   | 84) AlphaGuard Flashing     |
| 28) Cover Board (Adhered)                 | 52) AlphaGuard BIO Base Coat         | 85) Lead Sleeve             |
|   | 61) AlphaGuard Glass Mat or Permafab | 98) Plumbing Vent           |
|   |                                      | 105) Target Patch           |



AlphaGuard® BIO Plus Plumbing Vent Detail, Precast Concrete Deck  
Detail 23183

### KEY NOTES

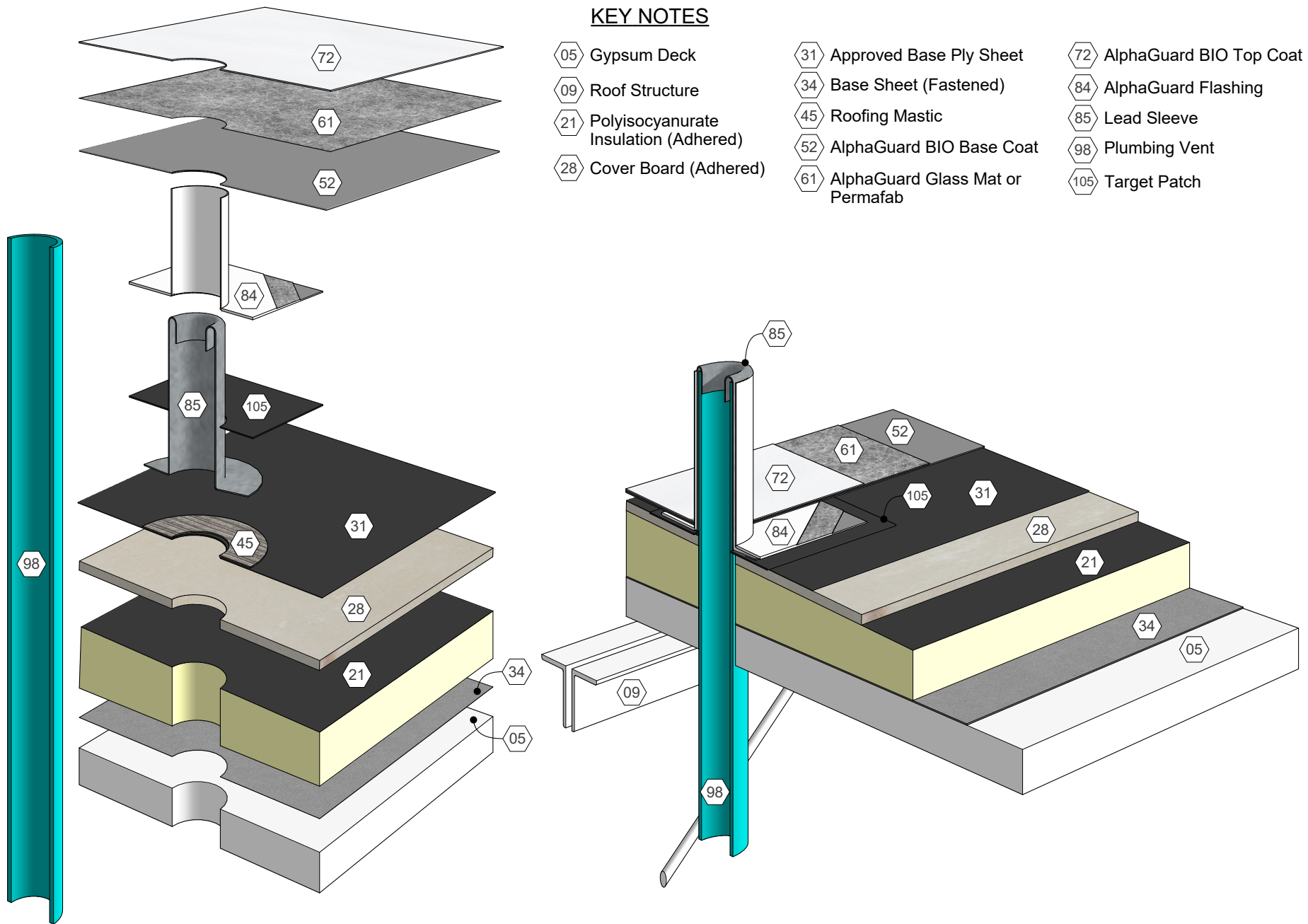
- |    |  |    |                                     |     |                         |
|----|--|----|-------------------------------------|-----|-------------------------|
| 04 | Wood Deck                                | 31 | Approved Base Ply Sheet             | 72  | AlphaGuard BIO Top Coat |
| 09 | Roof Structure                           | 34 | Base Sheet (Fastened)               | 84  | AlphaGuard Flashing     |
| 21 | Polyisocyanurate<br>Insulation (Adhered) | 45 | Roofing Mastic                      | 85  | Lead Sleeve             |
| 28 | Cover Board (Adhered)                    | 52 | AlphaGuard BIO Base Coat            | 98  | Plumbing Vent           |
|    |  | 61 | AlphaGuard Glass Mat or<br>Permafab | 105 | Target Patch            |



AlphaGuard® BIO Plus Plumbing Vent Detail, Wood Deck  
Detail 23184

**KEY NOTES**

- |  |                                     |                            |
|--|-------------------------------------|----------------------------|
| 05 Gypsum Deck                           | 31 Approved Base Ply Sheet          | 72 AlphaGuard BIO Top Coat |
| 09 Roof Structure                        | 34 Base Sheet (Fastened)            | 84 AlphaGuard Flashing     |
| 21 Polyisocyanurate Insulation (Adhered) | 45 Roofing Mastic                   | 85 Lead Sleeve             |
| 28 Cover Board (Adhered)                 | 52 AlphaGuard BIO Base Coat         | 98 Plumbing Vent           |
|  | 61 AlphaGuard Glass Mat or Permafab | 105 Target Patch           |



AlphaGuard® BIO Plus Plumbing Vent Detail, Gypsum Deck  
Detail 23185